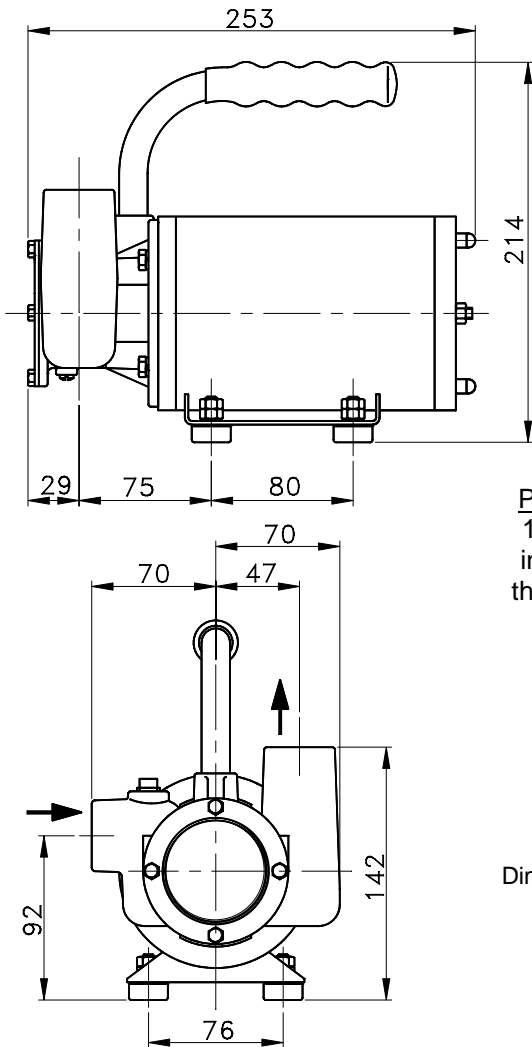


# JABSCO® UTILITY PUMPS



**40-size**  
UTILITY PUMP  
with 1" ports and  
**DC** electric motor



**PORTS**  
1" BSP  
internal  
threaded

Dimensions  
in mm

## PUMP MODELS

**53041-2003-24D** 24 volt d.c.

- ◆ Nitrile oil-resistant impeller fitted as standard.
- ◆ Neoprene impeller version available

Also available: Reduced flow versions for liquid viscosity up to 1000cp. Check with your pump supplier.

## SPECIFICATION

Pump body: bronze

Weight: 9.5kg

Shaft: AIS316 stainless steel

Shaft seal: mechanical (carbon-ceramic)

Impeller: see pump models above

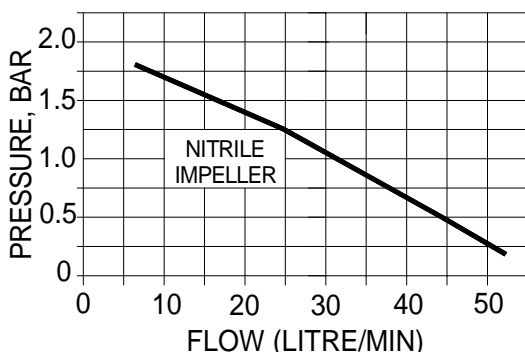
Max. recommended liquid viscosity: 150cp. Check with your pump supplier if in doubt.

**Motor:**

0.25kw, totally enclosed, full load current 17 amps, IP54 enclosure

- ◆ Rapid self-priming up to 3 metres vertical lift
- ◆ Handles hard and soft solids up to 4mm in size
- ◆ Can pump up to 90% entrained air
- ◆ Up to 30 minutes dry running protection
- ◆ Quick and simple to maintain
- ◆ Light, compact, portable and tough

## PUMP PERFORMANCE



### WARNING

Explosive hazard. Do not pump gasoline, solvents, thinners, or other flammable liquids. To do so can cause an explosion resulting in injury or death

Performance figures are based on manufacturer's tests with water and are not guaranteed for any particular application.

Product descriptions and specifications are subject to alteration without notice

**JABSCO®** RELIABILITY WITH TOP QUALITY PUMP ENGINEERING  
- FROM THE UK'S LEADING JABSCO SPECIALIST