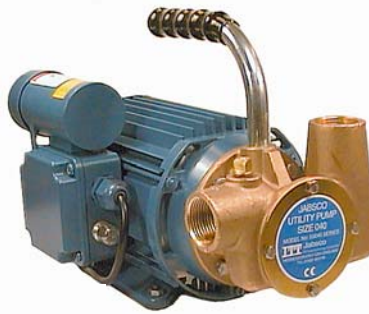


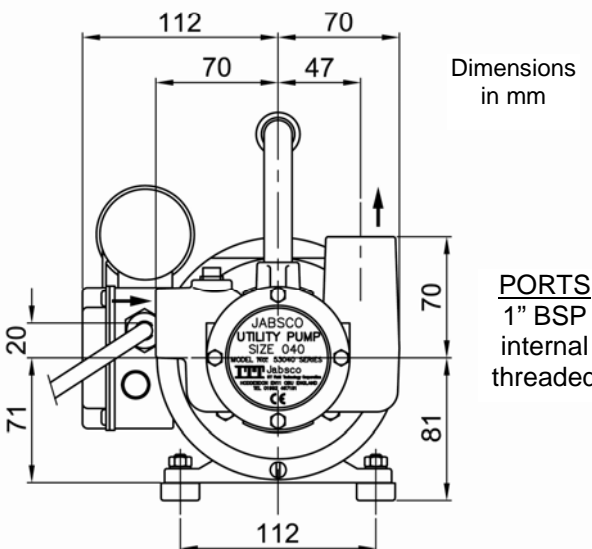
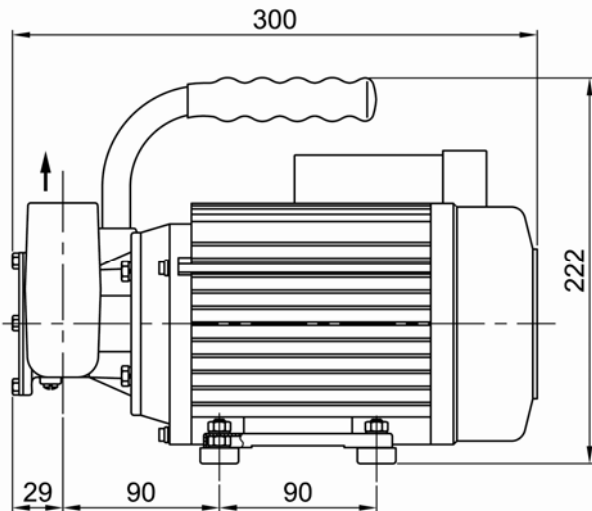


UTILITY PUMPS



LUBRICATING OIL TRANSFER

40-size UTILITY PUMP with 1" ports and AC electric motor



PORTS
1" BSP
internal
threaded

PUMP MODEL

53040-2053	230 volt 1 phase 50Hz 0.25kW
53040-2153	110 volt 1 phase 50Hz 0.25kW
53040-2053-400	400 volt 3 phase 50Hz 0.37kW (no handle)

- ◆ Nitrile oil-resistant impeller fitted as standard.

SPECIFICATION

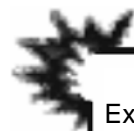
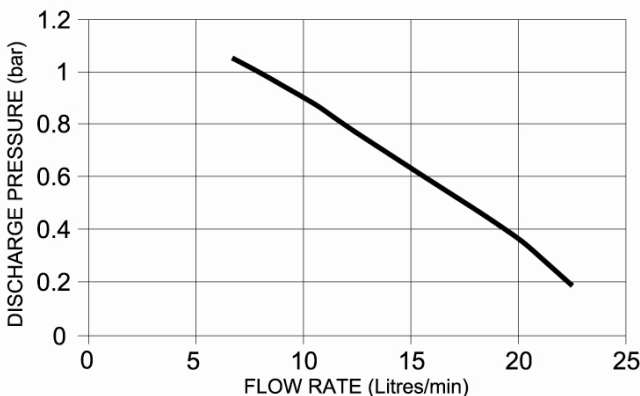
Pump body: bronze **Weight:** 10.5kg
 Shaft: AIS316 stainless steel
 Shaft seal: mechanical (carbon-ceramic)
 Impeller: Nitrile, oil resistant
 Max. recommended liquid viscosity: 1000cSt. Check with your pump supplier if in doubt.

Motor:

4 pole, totally enclosed, fan ventilated, IP54 enclosure. Single-phase motors fitted with manual reset thermal overload cut-out.

- ◆ Rapid self-priming up to 3 metres vertical lift
- ◆ Handles hard and soft solids up to 4mm in size
- ◆ Can pump up to 90% entrained air
- ◆ Up to 30 minutes dry running protection
- ◆ Quick and simple to maintain
- ◆ Light, compact, portable and tough
- ◆ Also available: Higher flow versions for liquid viscosity up to 150 cStokes. Check with your pump supplier.

PUMP PERFORMANCE



WARNING

Explosive hazard. Do not pump gasoline, solvents, thinners, or other flammable liquids. To do so can cause an explosion resulting in injury or death

Performance figures are based on manufacturer's tests with warm lubricating oil and are not guaranteed for any particular application.

Product descriptions and specifications are subject to alteration without notice



RELIABILITY WITH TOP QUALITY PUMP ENGINEERING
- FROM THE UK'S LEADING JABSCO SPECIALIST