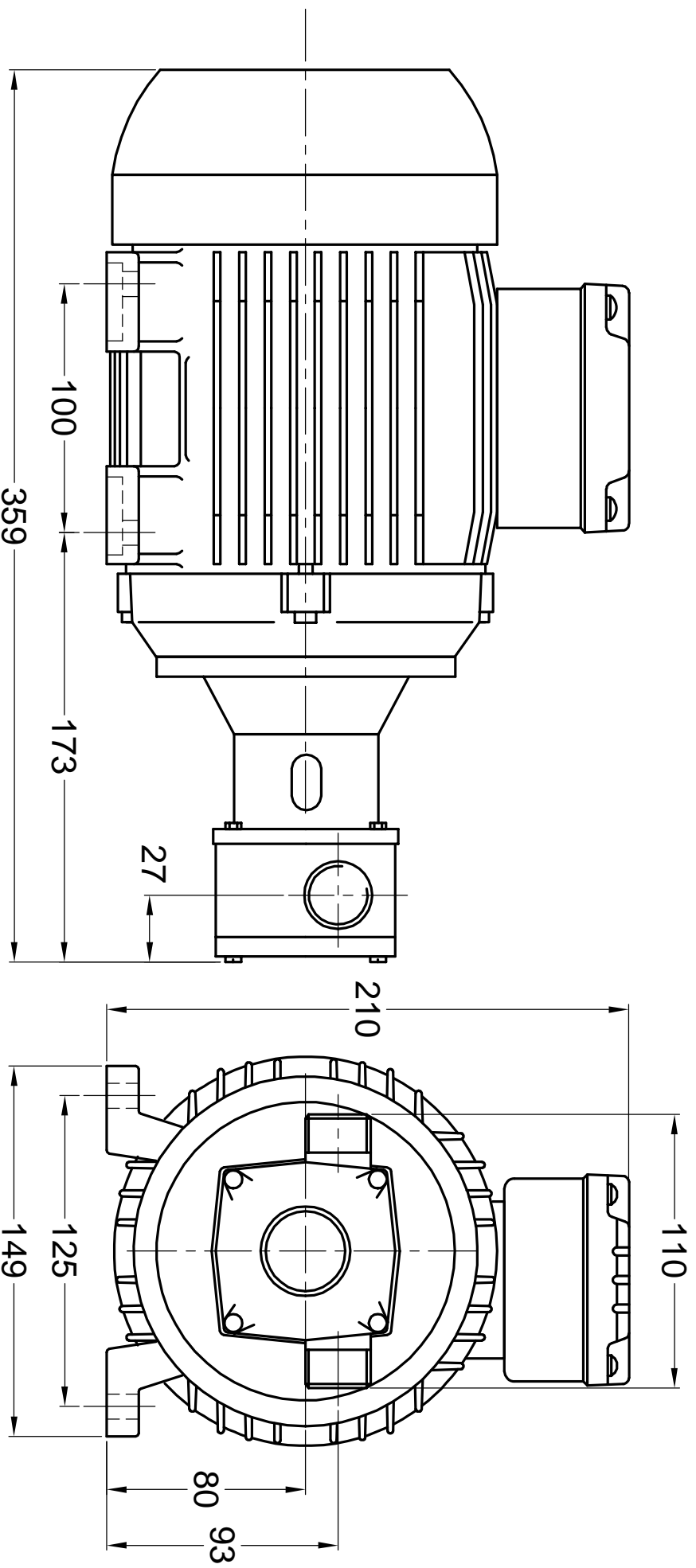


EPOXY INDUSTRIAL RANGE  
E40 SIZE WITH 3 PHASE MOTOR

*Printed from*  
**JABSCoshop**  
*- a division of*  
**CLEGHORN WARING**

tel: +44(0)870 738001  
fax: +44(0)870 738002  
mail@jabscoshop.co.uk  
www.jabscoshop.co.uk



MOTOR DIMENSIONS MAY VARY ACCORDING TO MAKE AND TYPE FITTED  
dimensions in mm