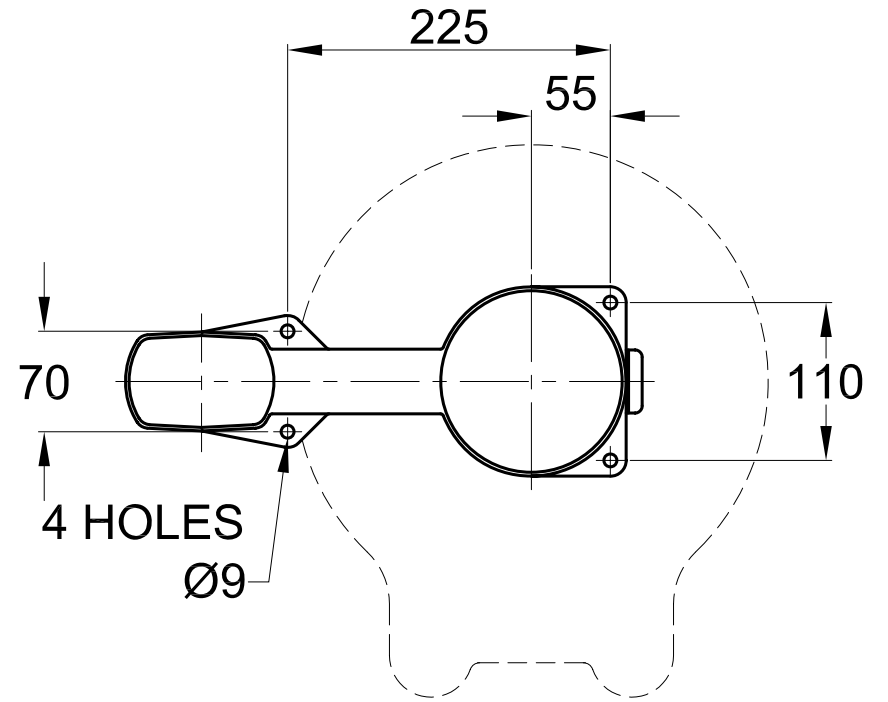
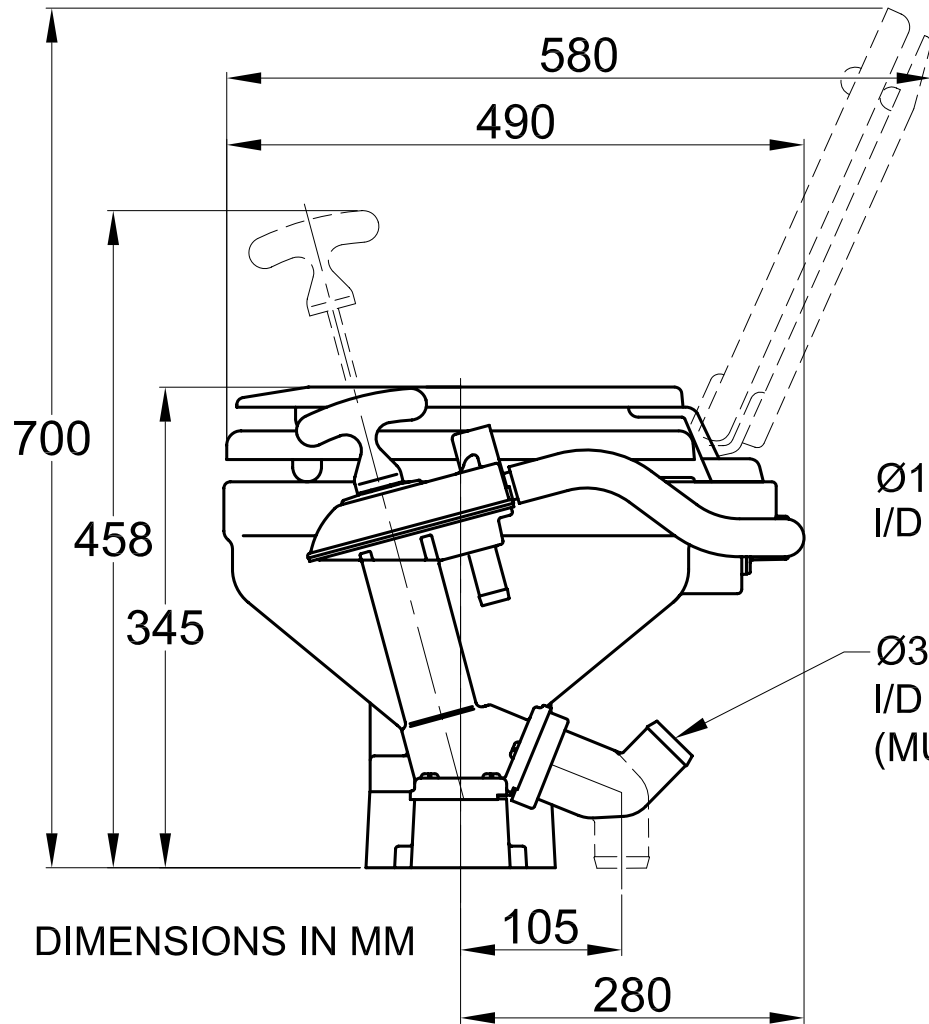


29120 REGULAR

DO NOT SCALE



BASE FIXING HOLES

Ø19mm (3/4")
I/D HOSE INLET

Ø38mm (1.5")
I/D HOSE OUTLET
(MULTI ANGLE)

