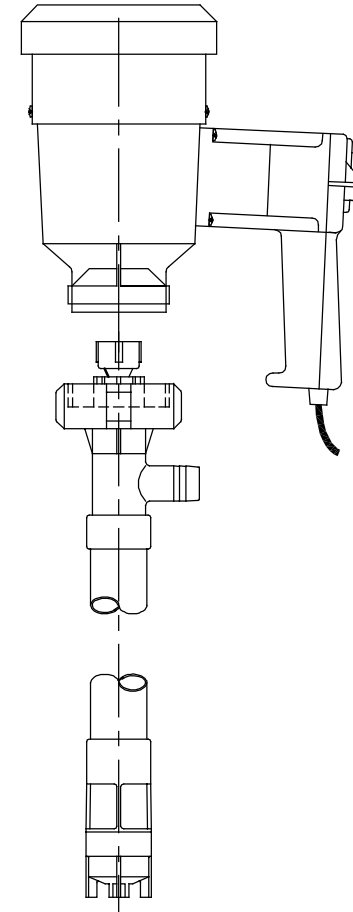


16450-2220  
DRUM PUMP  
ELECTRIC MOTOR

dimensions in mm



Printed from  
**JABSCOshop**  
- a division of  
CLEGHORN WARING

tel: +44(0)870 738001  
fax: +44(0)870 738002  
mail@jabscoshop.co.uk  
www.jabscoshop.co.uk